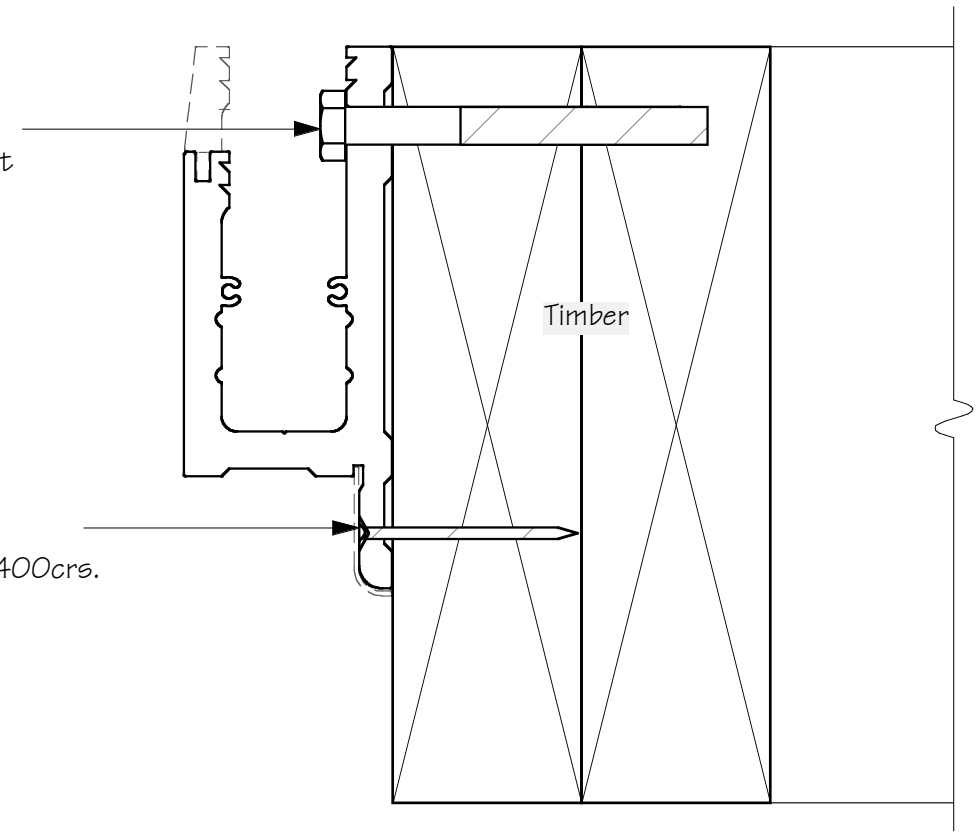


TOP CONNECTION-
M10 S/S coach screws at
400crs.

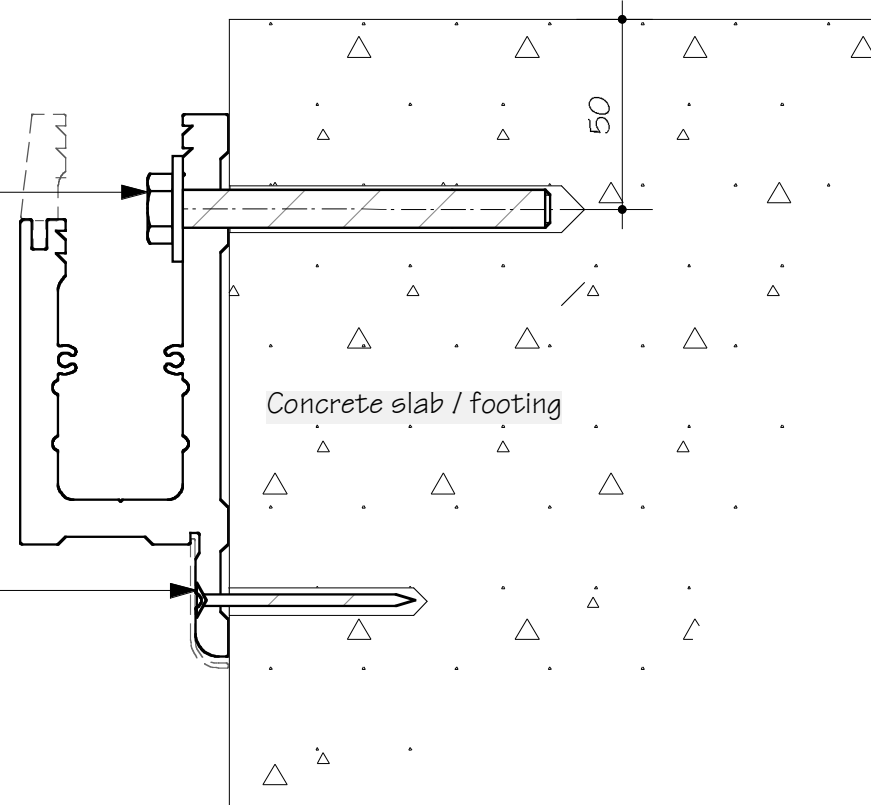
BOTTOM CONNECTION-
Gauge 14 S/S screws at 400crs.



TIMBER FIXING

TOP CONNECTION-
M10 Hilti RE500 + HAS-RE S/S
Rods at 400crs.

BOTTOM CONNECTION-
M18 Hilti RE500 + HIS- RN S/S
Sleeve + CSK S/S Srew at 400 crs.

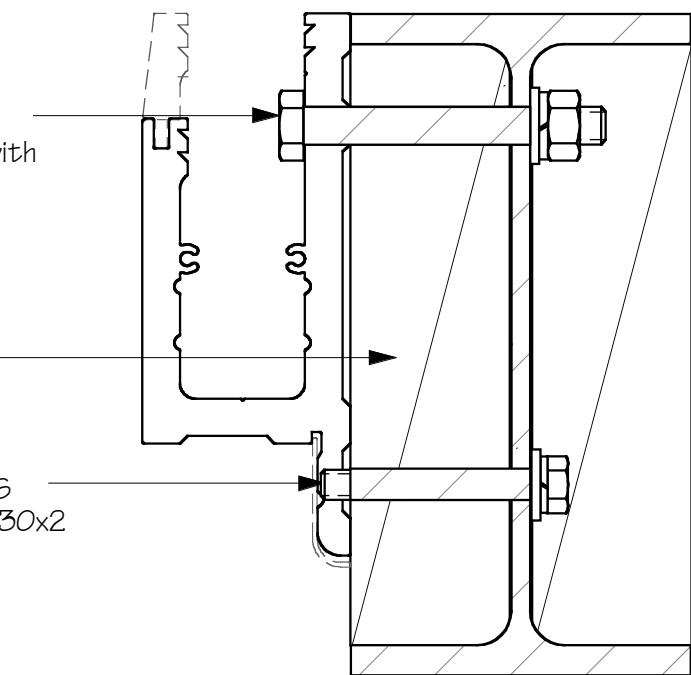


CONCRETE FIXING

TOP CONNECTION-
M10 S/S bolts@ 400mm crs. with
50x50x3 S/S washers

Timber packer to suit

BOTTOM CONNECTION-M8 S/S
bolts @ 400mm crs. with 30x30x2
S/S washers



STEEL FIXING