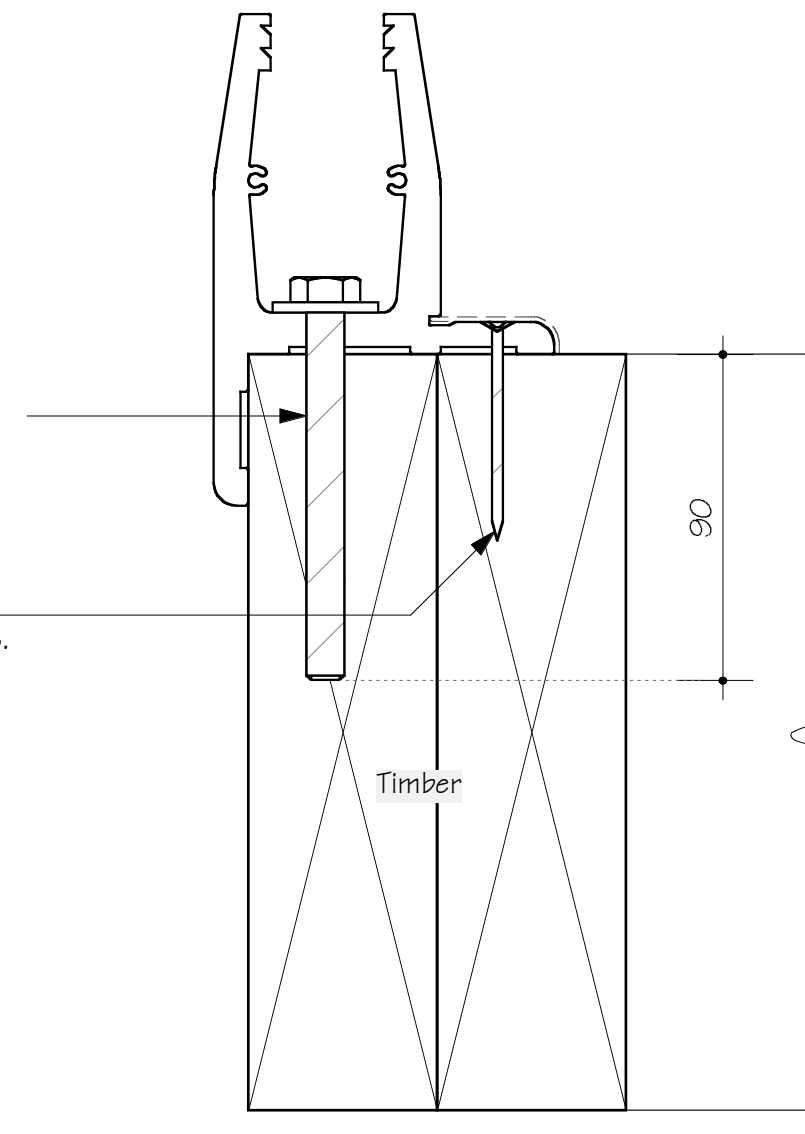


EXTERNAL CONNECTION-
M10 S/S coachscrew at max.
400crs.

INTERNAL CONNECTION-
M8 S/S screw at max. 400crs.

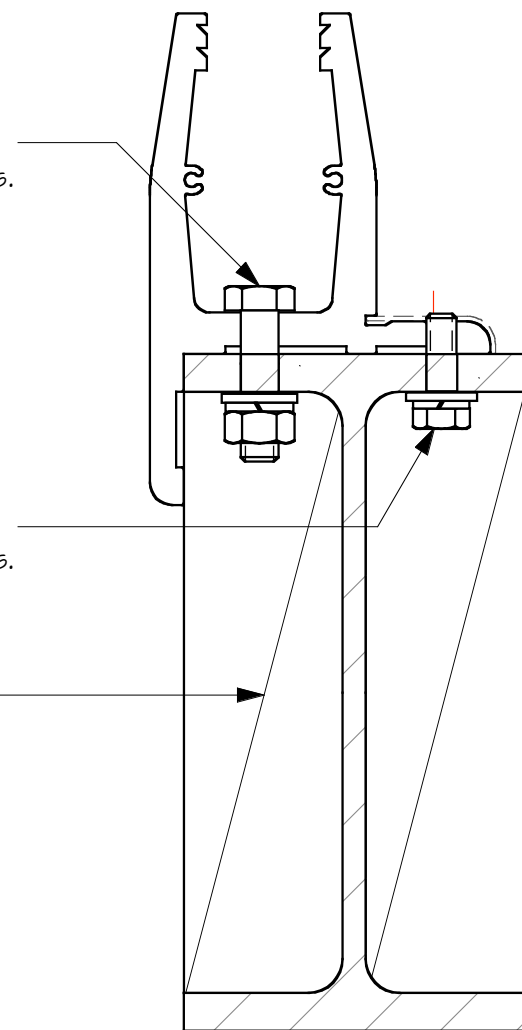


TIMBER FIXING

EXTERNAL CONNECTION-
M10 S/S bolts @ 400mm crs.
with 50x50x3 S/S washers

INTERNAL CONNECTION-
M8 S/S bolts @ 400mm crs.
with 30x30x2 S/S washers

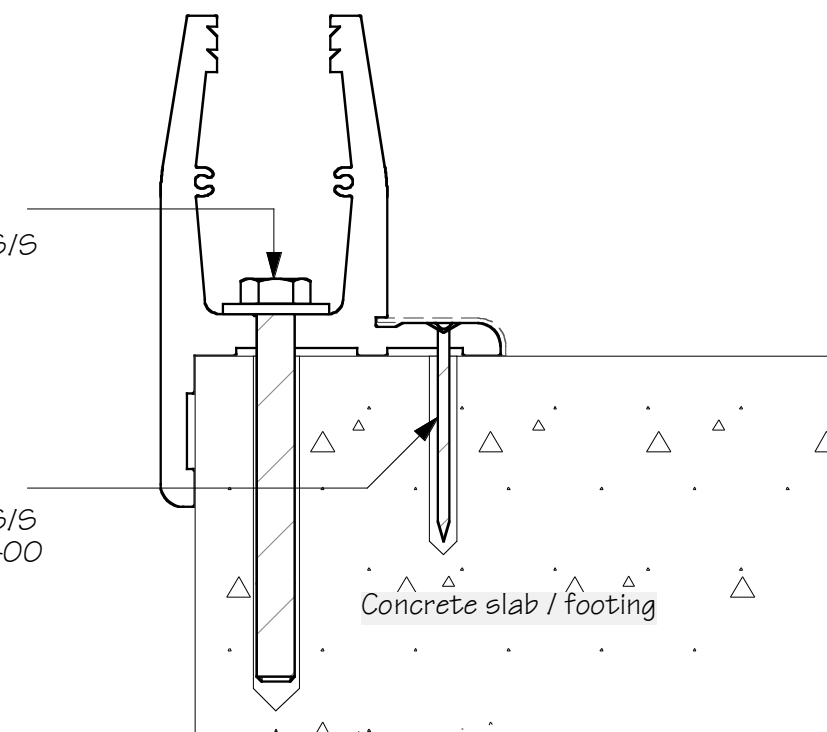
Timber packer to suit



STEEL FIXING

EXTERNAL CONNECTION-
M10 Hilti RE500 + HAS-RE S/S
Rods at 400crs.

INTERNAL CONNECTION-
M18 Hilti RE500 + HIS- RN S/S
Sleeve + CSK S/S Screw at 400
crs.



CONCRETE FIXING