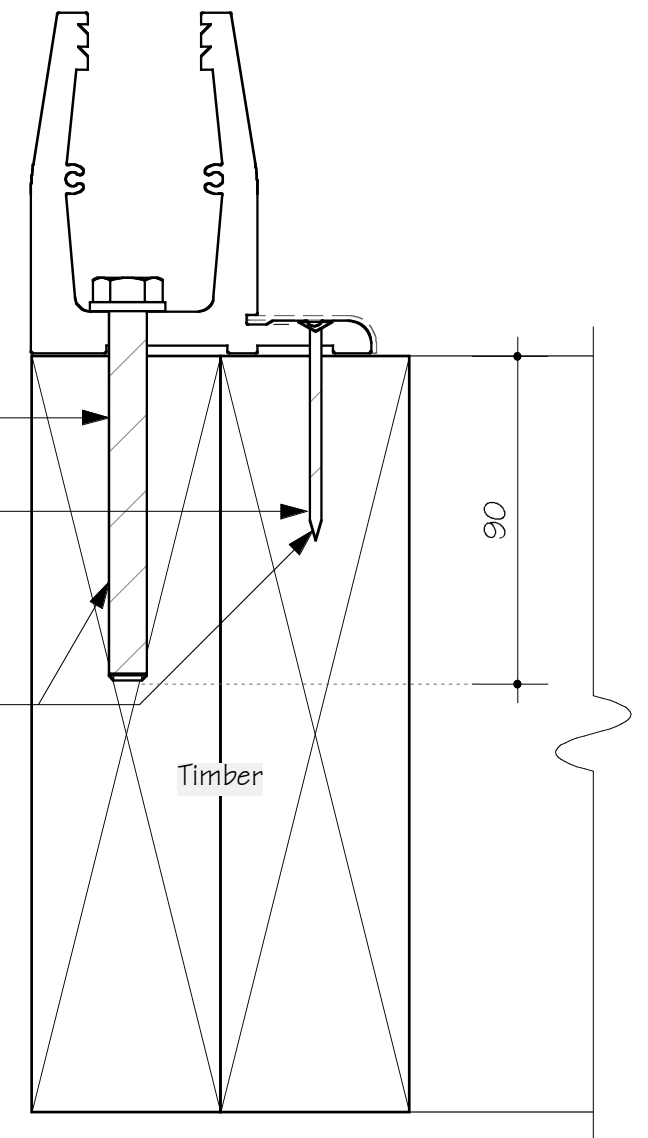


EXTERNAL CONNECTION-
M10 S/S coachscrews at 300crs.

INTERNAL CONNECTION-
Gauge 14 S/S screws at 225mm crs.

Screws and coach screws to be
centrally placed in timber member

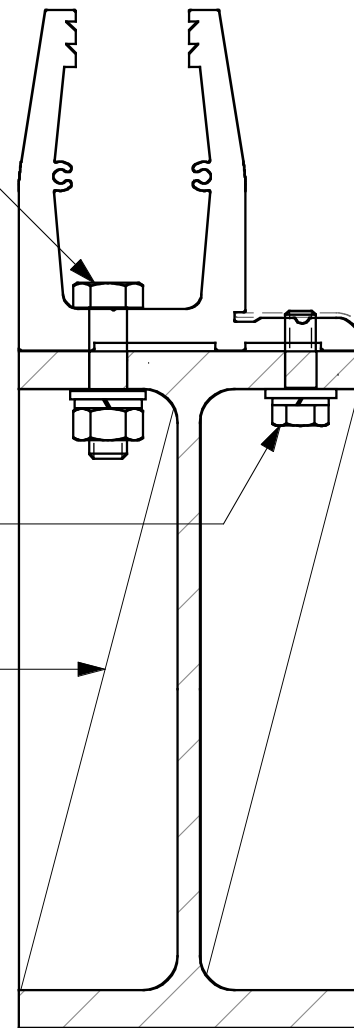


TIMBER FIXING

EXTERNAL CONNECTION-
M10 S/S bolts @ 400mm crs. with
50x50x3 S/S washers

INTERNAL CONNECTION-
M8 S/S bolts @ 400mm crs. with
30x30x2 S/S washers

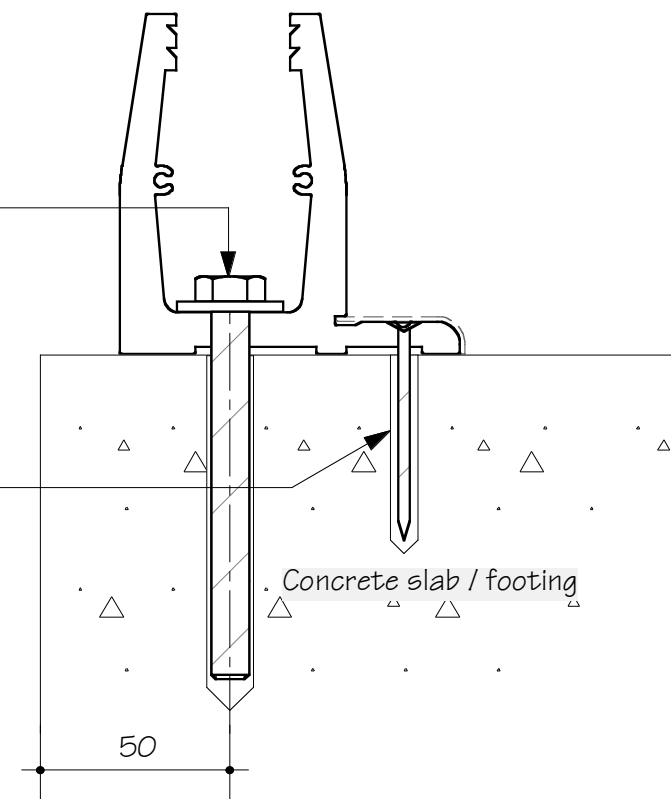
Timber packer to suit



STEEL FIXING

EXTERNAL CONNECTION-
M10 Hilti RE500 + HAS-RE
S/S Rods at 400crs.

INTERNAL CONNECTION-
M18 Hilti RE500 + HIS- RN
S/S Sleeve + CSK S/S Screw
at 400 crs.



CONCRETE FIXING