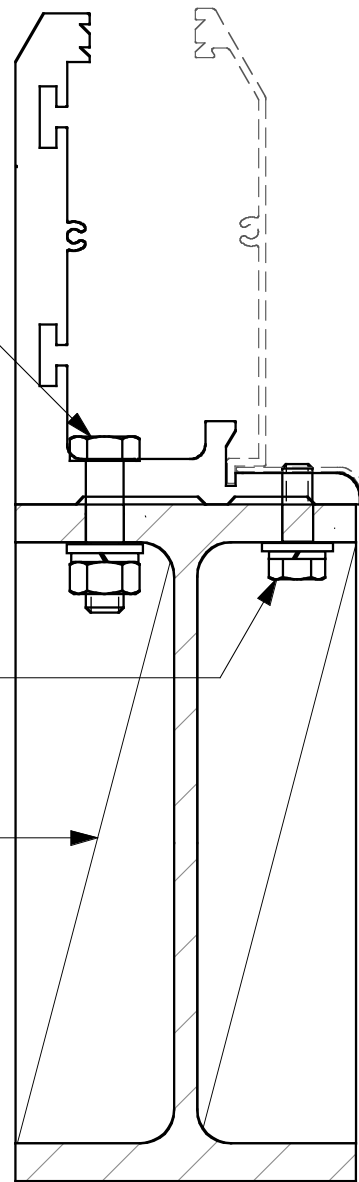


EXTERNAL CONNECTION-
M10 S/S bolts @ 400mm crs. with
50x50x3 S/S washers

INTERNAL CONNECTION-
M8 S/S bolts @ 400mm crs.
with 30x30x2 S/S washers

Timber packer to suit

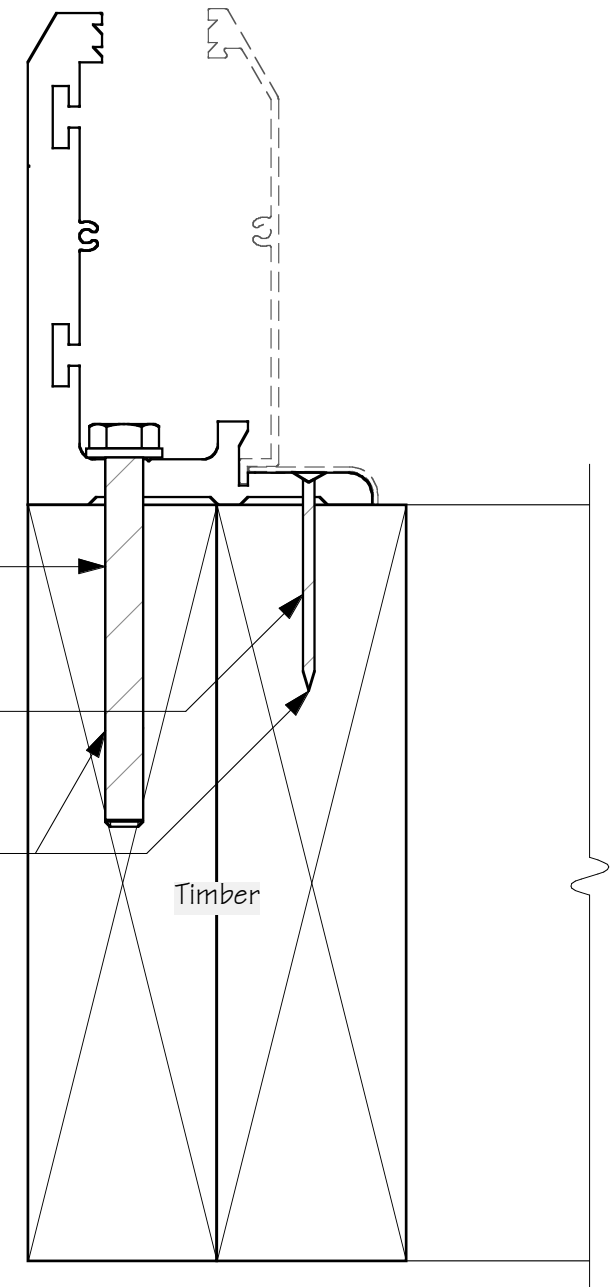


STEEL FIXING

EXTERNAL CONNECTION-
M10 S/S coachscrew at 300crs.

INTERNAL CONNECTION-
Gauge 14 S/S screws at 225mm crs.

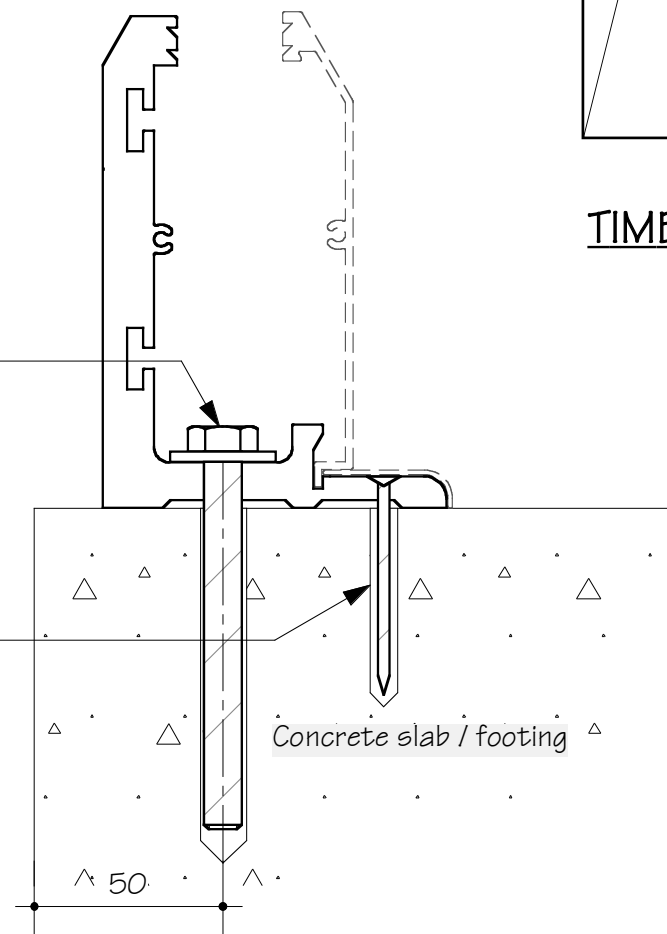
Screws and coach screws to be
centrally placed in timber member



TIMBER FIXING

EXTERNAL CONNECTION-
M10 Hilti RE500 + HAS-RE S/S
Rods at 400crs.

INTERNAL CONNECTION-
M18 Hilti RE500 + HIS- RN S/S
Sleeve + CSK S/S Screw at
400crs.



CONCRETE FIXING