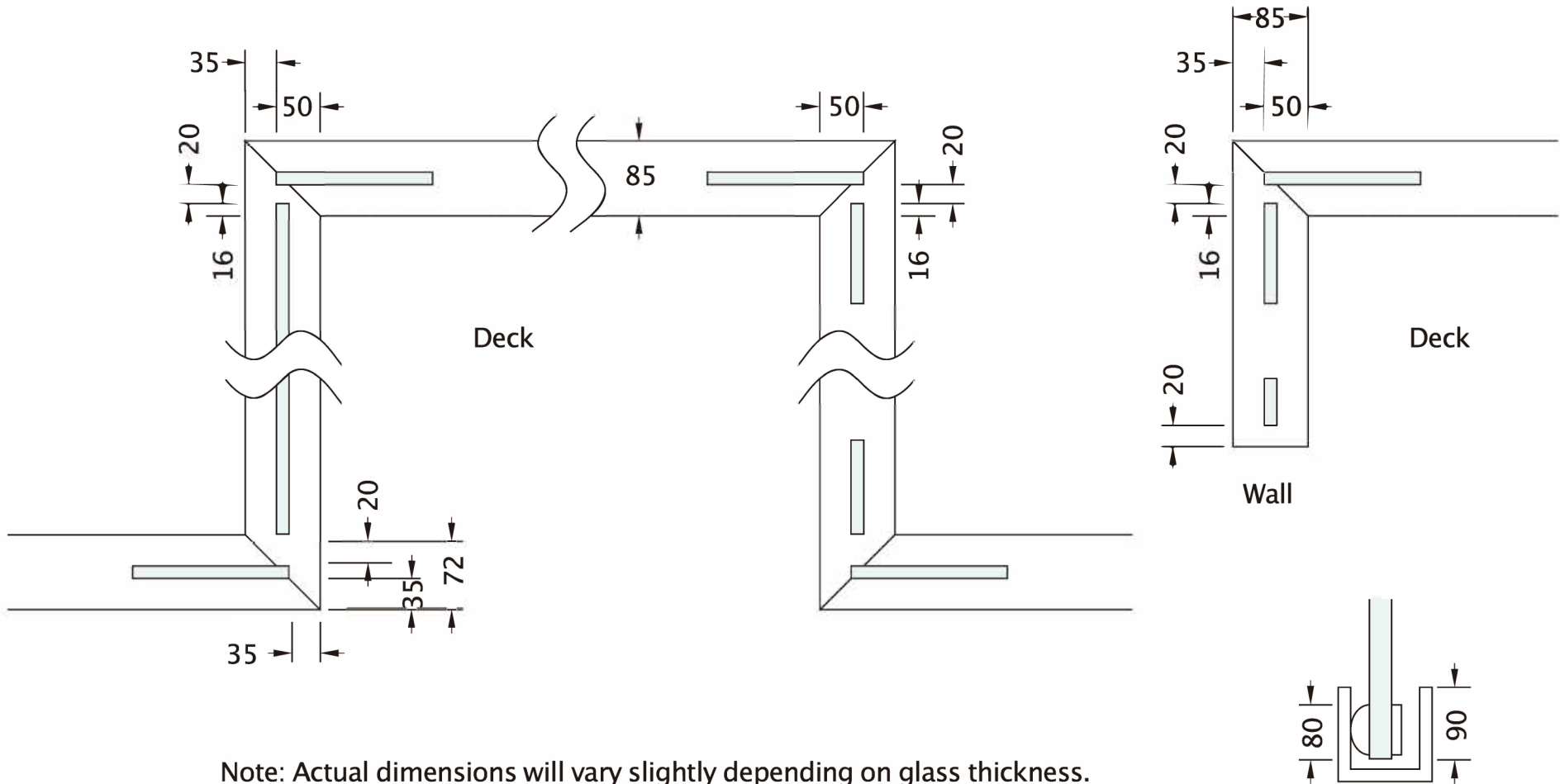


## B140: Glass Deductions



Note: Actual dimensions will vary slightly depending on glass thickness.  
- \*85mm Base Chanel, 90mm including both covers, 87.5mm one main cover.