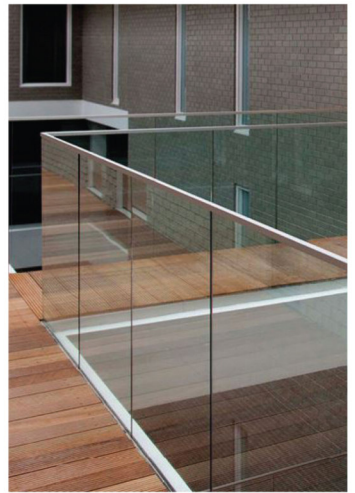




## Product Features

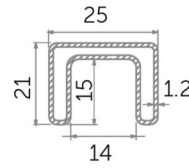
- Designed as a dress rail for glass balustrades, with the smallest profile possible.
- Provides edge protection and peace-of-mind for those who are uncomfortable with no glass capping.
- Suits 12mm glass.
- A complete range of fittings means angles and height changes can be achieved on site with no welding necessary.
- No holes in the glass are required and so can be simply fitted retroactively.
- Manufactured from Stainless Steel for long life, strength and serviceability and available in Polished or Satin finishes.



# Glass Systems H210 Super Slim Rail

## Rail

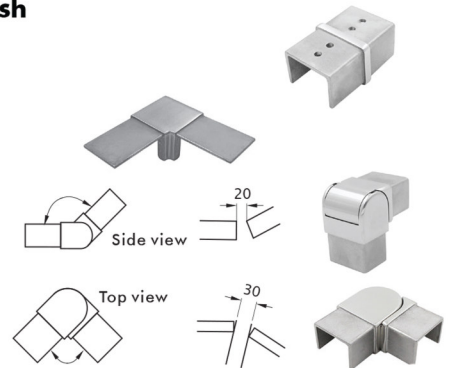
Product Code	Description	Finish
HR300PS	Rectangular Tube 2205, 5.8m length	PS
HR300SS	Rectangular Tube 2205, 5.8m length	SS



**Note:** Available Cut-to-Size

## Joiners

Product Code	Description	Finish
HR302PS	180° Joiner	PS
HR302SS	180° Joiner	SS
HR309PS	90° Corner Joiner	PS
HR309SS	90° Corner Joiner	SS
HR306PS	Adjustable Vertical Joiner	PS
HR306SS	Adjustable Vertical Joiner	SS
HR310PS	Adjustable Horizontal Joiner	PS
HR310SS	Adjustable Horizontal Joiner	SS



## Wall Brackets

Product Code	Description	Finish
HR304PS	Wall Bracket, Concealed Fix	PS
HR304SS	Wall Bracket, Concealed Fix	SS
HR311PS	Wall Bracket, Face Fixed	PS
HR311SS	Wall Bracket, Face Fixed	SS



## End Caps

Product Code	Description	Finish
HR305PS	End Cap	PS
HR305SS	End Cap	SS



## Glazing Rubber

Product Code	Description
HR307-12	Glazing Rubber for 12mm glass



## Adhesive

Product Code	Description
HR108	Glazing Adhesive

