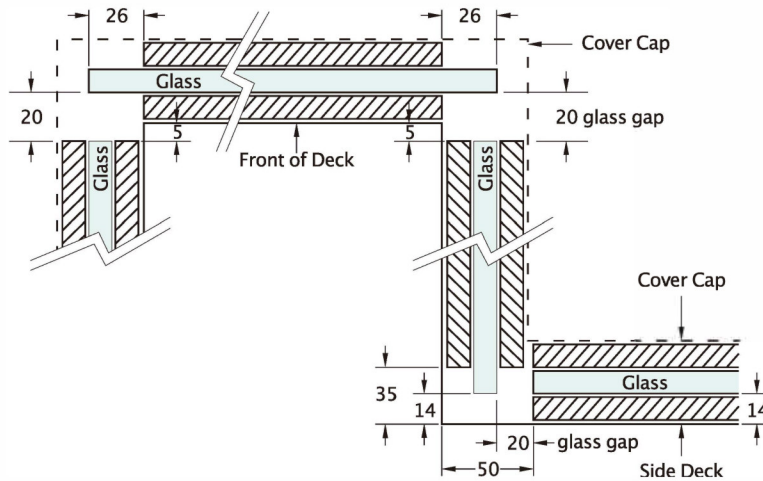


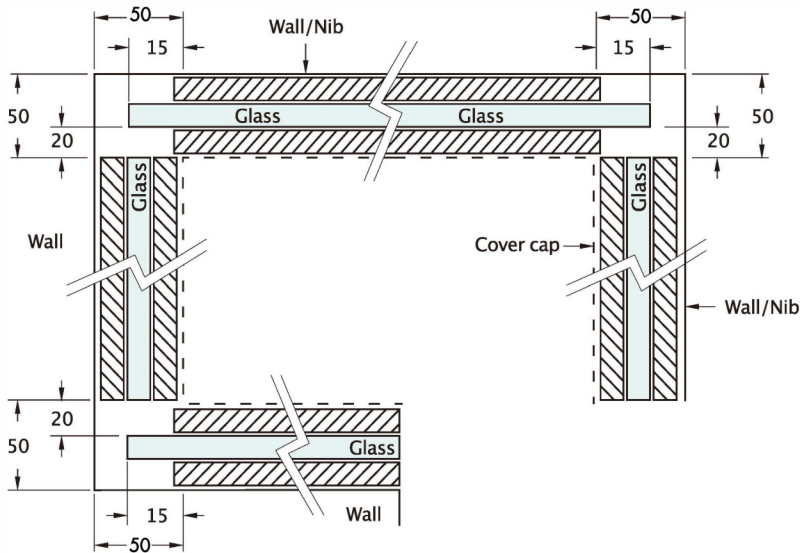
# B120 Cubic Face Fix Channel: Cutting/Glass Detail

## Standard Channel Using 12mm Glass

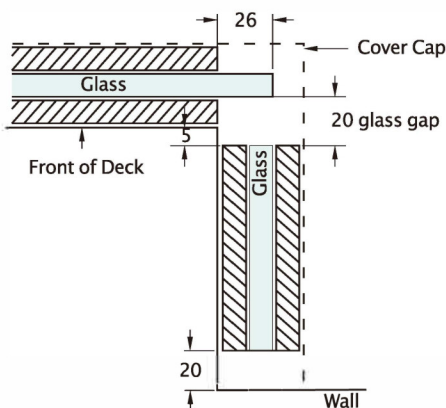
### Corner and Return detail, channel mounted on outside of deck



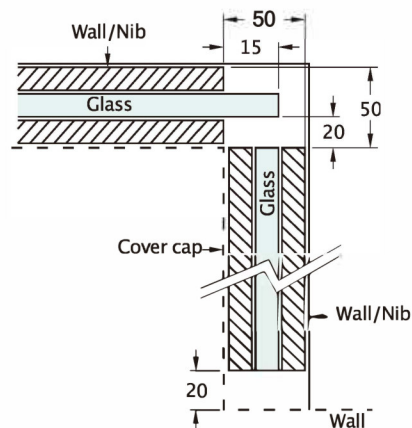
### Corner and Return detail, channel mounted on inside of nib/wall



### Return into a wall, channel mounted on outside of deck



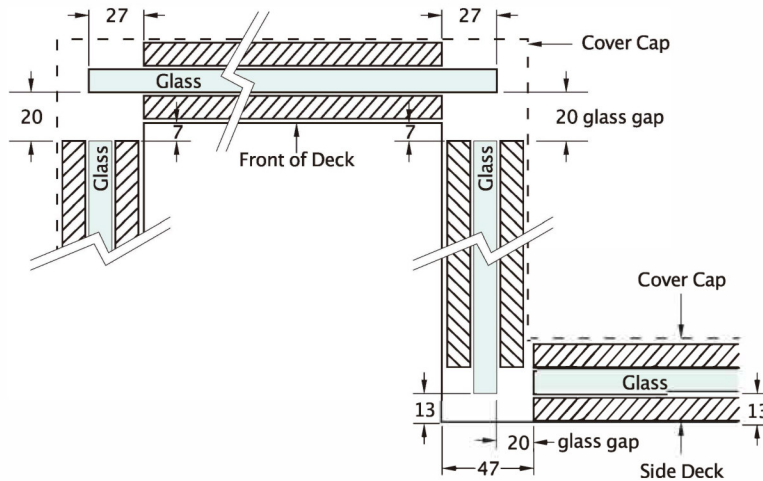
### Return into a wall, channel mounted on inside of nib/wall



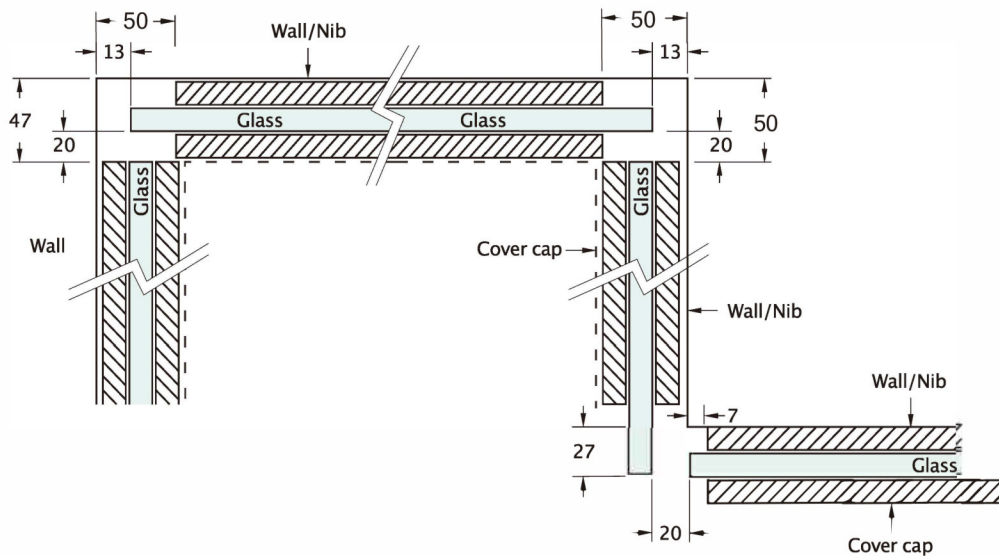
# B120 Cubic Face Fix Channel: Cutting/Glass Detail

## Channel Using 13.52mm Glass

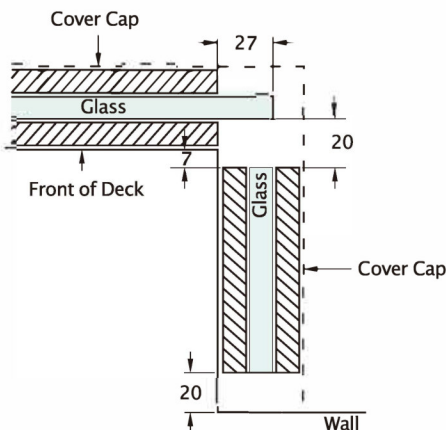
### Corner and Return detail, channel mounted on outside of deck



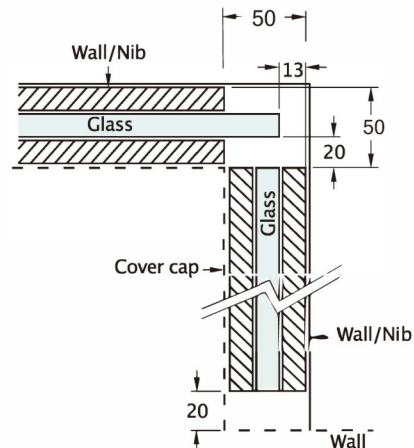
### Corner and Return detail, channel mounted on inside of nib/wall



### Return into a wall, channel mounted on outside of deck



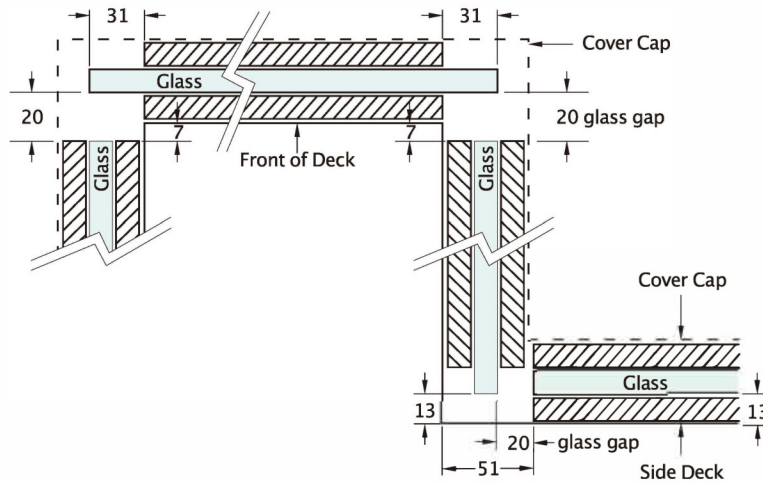
### Return into a wall, channel mounted on inside of nib/wall



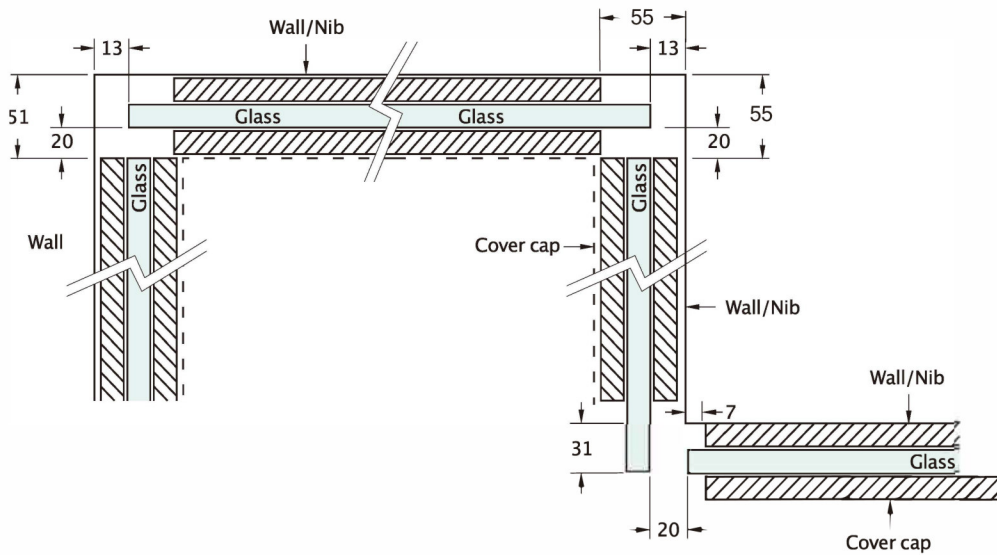
# B120 Cubic Face Fix Channel: Cutting/Glass Detail

## Heavy Duty Channel Using 17.52mm Glass

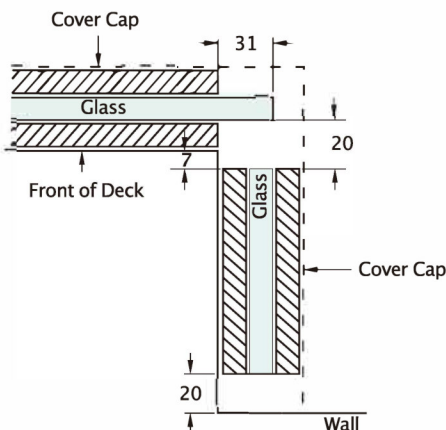
### Corner and Return detail, channel mounted on outside of deck



### Corner and Return detail, channel mounted on inside of nib/wall



### Return into a wall, channel mounted on outside of deck



### Return into a wall, channel mounted on inside of nib/wall

