

Glass Systems S400 Sliding Shower



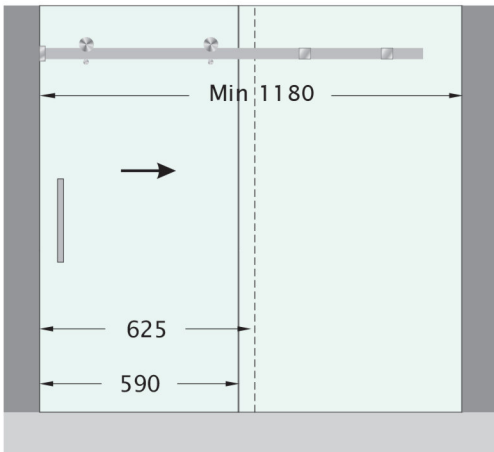
Product Features

- Functional and elegant with a smooth sliding movement, the Duet Shower offers various configuration options for maximum flexibility.
- The sliding door removes the obstacle of a swinging door in tight spaces and creates an expansive shower area with easy access.
- The slim profile of the hardware minimises the visual clutter.
- Toughened Safety Glass and anti-jump mechanism to prevent the door from derailing, ensure safety for the family.
- Polished Stainless or Black Chrome finish.

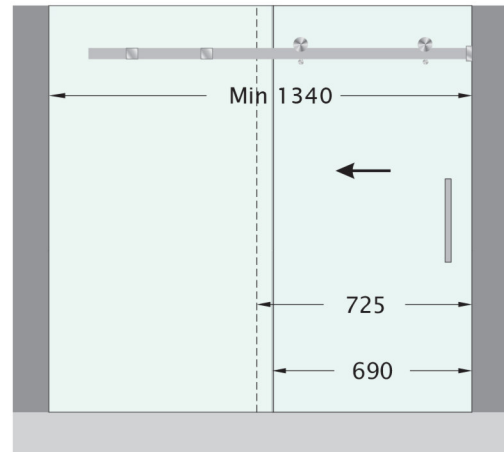


Glass Systems S400 Sliding Shower

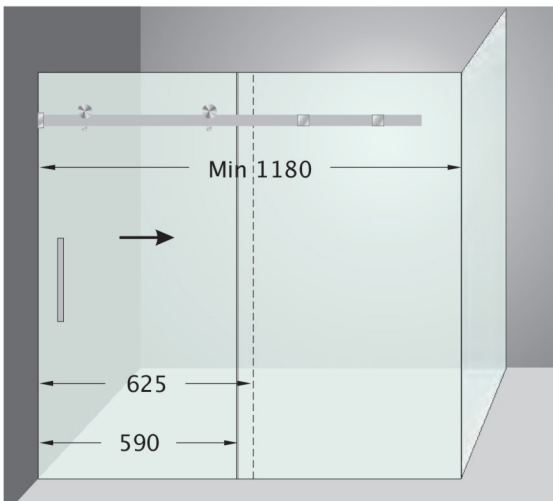
Design Options



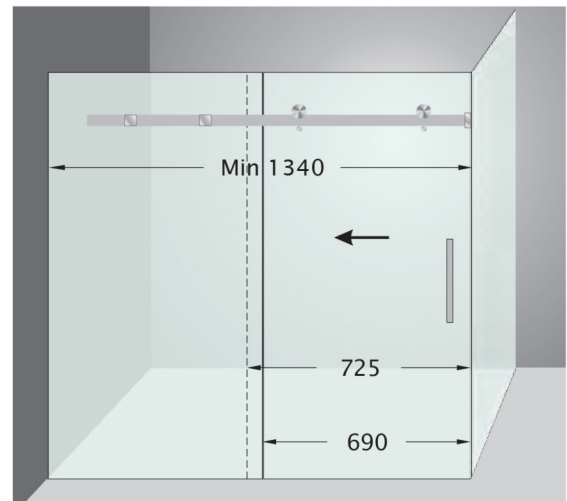
Code SS60PS or SS60BC



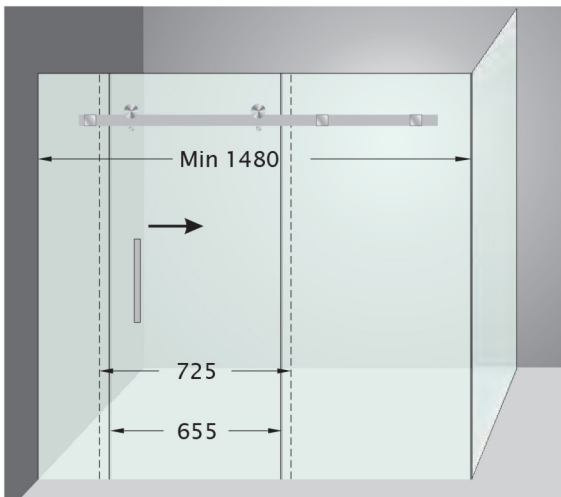
Code SS70PS or SS70BC



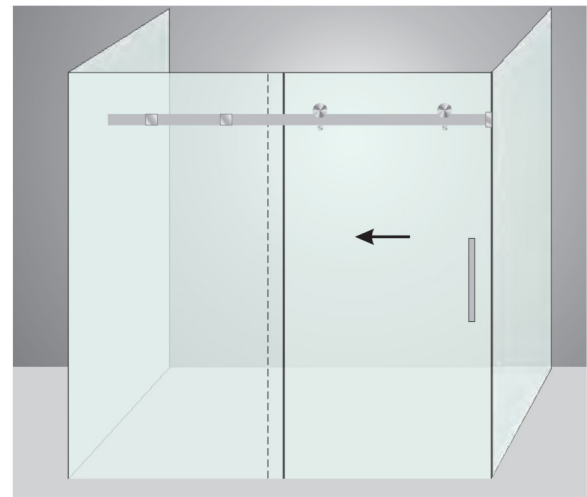
Code SS60PS or SS60BC



Code SS70PS or SS70BC



Code SS80PS or SS80BC



Code SS60PS or SS60BC (min 1180)
Code SS70PS or SS70BC (min 1340)