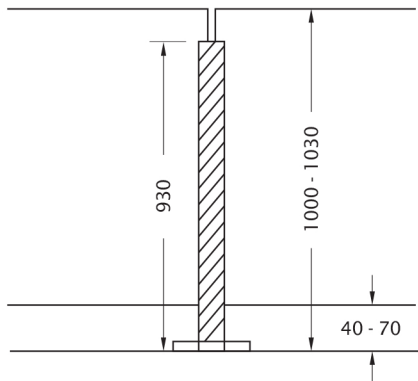


Glass Systems B105 Semi-Frameless Balustrades

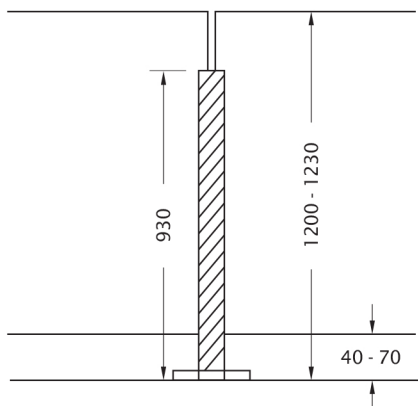
Pre Fabricated Posts, Surface Mounted, Balustrading



Notes

- Suitable for 10 or 12mm Toughened Glass.
- Stock glass panels in a range of sizes are available.
- Posts can be trimmed on site for levels.
- Shuffle glazing system for fast, safe glazing.
- Suitable for up to 1500mm post centres.
- Can be safely glazed from one side.
- Maximum gap permissible under the glass is 100mm, but we recommend 40-70mm.
- For specific fixing details to timber, concrete and steel refer to the PS1.
- Handrail options and pool gate fittings also available.
- Custom sizes and colours available.

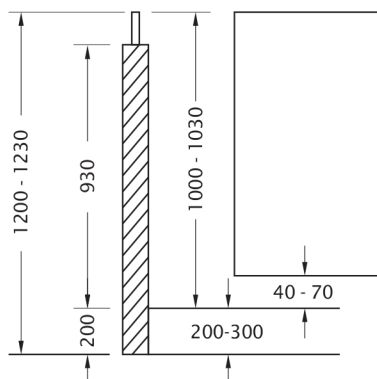
Pre Fabricated Posts, Surface Mounted, Pool Fencing



Notes

- Suitable for 10 or 12mm Toughened Glass.
- Stock glass panels in a range of sizes are available.
- Can be trimmed on site for levels.
- Shuffle glazing system for fast, safe glazing.
- Suitable for up to 1500mm post centres.
- Can be safely glazed from one side.
- Maximum gap permissible under the glass is 100mm, but we recommend 40-70mm.
- For specific fixing details to timber, concrete and steel refer to the PS1.
- Handrail options and pool gate fittings also available.
- Custom sizes and colours available.

Pre Fabricated Posts, Face Fixed, Balustrading



Notes

- Suitable for 10 or 12mm Toughened Glass.
- Stock glass panels in a range of sizes are available.
- Can be trimmed on site for levels.
- Shuffle glazing system for fast, safe glazing.
- Suitable for up to 1500mm post centres.
- Can be safely glazed from one side.
- Maximum gap permissible under the glass is 100mm, but we recommend 40-70mm.
- For specific fixing details to timber, concrete and steel refer to the PS1.
- Handrail options and pool gate fittings also available.
- Custom sizes and colours available.